

HCS series HCS 1201-30



Link Soft **HAPPY Link**
HAPPY Link Software (included) lets you control your machine from a PC!

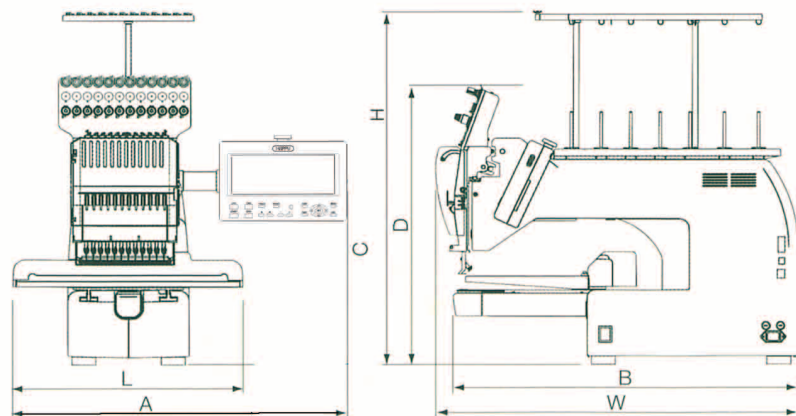
STANDARD FEATURES AND FUNCTIONS

- HAPPY LINK SOFTWARE
- ROTARY TYPE THREAD SENSORS
- PORT FOR PC CONNECTION: USB AND SERIAL (RS232C CABLE INCLUDED)
- SAFETY COVER WITH SENSOR
- AUTOMATIC THREAD TRIMMERS
- AUTOMATIC COLOR CHANGE
- BUILT IN MEMORY CARD SLOT (PC-ATA-STANDARDS)
- BUILT IN BOBBIN WINDER
- MACHINE MEMORY 250,000 STITCHES
- FRAME TRACE FUNCTION
- FRAME OFFSET
- FRAME OUT
- AUTO ORIGIN
- STITCH SWEEPER FUNCTION

SPECIFICATIONS

MODEL	HEAD	EMBROIDERY AREA		NEEDLE	SPEED (rpm)		MEMORY (stitch)	POWER SUPPLY	FREQUENCY	WEIGHT
		TUBULAR FRAME	CAP (SEMIWIDE)		TUBULAR	CAP				
HCS-1201-30	1	320×320mm 12.6×12.6 inch	70×180mm 2.8×7 inch	12	300-1000	300-750	250,000	1PHASE AC100-120V or AC200-230V	50/60Hz	41kg 90lbs

MACHINE DIMENSIONS	A	B	C	D	L	W	H	
	546	710	470	579	474	745	734	(mm)
	27.1	28	18.5	21.6	18.7	29.3	28.9	(inch)



NOTE

- SEWING AREA IN THE SPECIFICATIONS LIST SHOWS MAXIMUM MOVING DISTANCE. ACTUAL SEWING MAY BE LIMITED BY HOOPS USED.
- SPECIFICATIONS ARE SUBJECT TO CHANGE WITHOUT NOTICE.
- MAXIMUM MACHINE SPEED MAY CHANGE WITH SEWING CONDITIONS.

For more Information, Contact



Your One-Stop Shop
for All Your Embroidery Needs!

TOLL-FREE 877.335.5206 Direct 704.394.0314
Headquarters 3001 Stafford Drive Charlotte NC 28208
Fax 704.392.1621 E-mail salesinfo@texmacusa.com
website www.happyemb.com

VOYAGER



HCS series HCS 1201-30

Computerized Compact Single Head Embroidery Machine

ULTIMATE EMBROIDERY MACHINE

ULTRA LIGHT / ULTRA COMPACT
ULTRA FAST / ULTRA EASY OPERATION

Brought to you by

